

Adapter (V vákuumkorongokhoz)

A szívókorong karmantyút /P típus és G típus/ és a tartó menetet kiválasztani.

Nipples (for vacuum cups series V)

Select the proper nipple according to the vacuum cup (P type or G type) and according to the thread of the cup support.



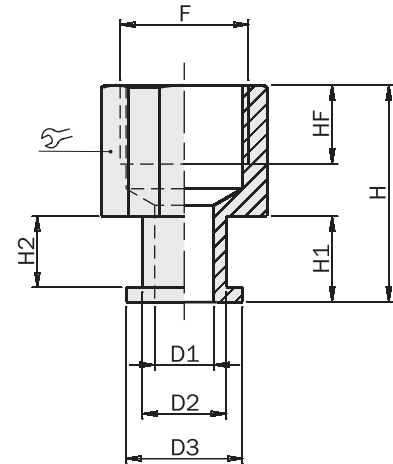
AV	P/G	F	M	∩[mm]	m [g]
AV01M5F08	P	M5	-	8	1.2
AV01M5M08	P	-	M5	8	0.8
AV0118F13	P	G1/8"	-	13	4
AV0118M13	P	-	G1/8"	13	4
AV0118F12	G	G1/8"	-	12	3
AV0118M12	G	-	G1/8"	12	2.6
AV0118F16	G	G1/8"	-	16	6.2
AV0118M16	G	-	G1/8"	16	4
AV0114F16	G	G1/4"	-	16	4.6
AV0114M16	G	-	G1/4"	16	5.4



Mérete (mm)

Dimensions (mm)

	AV01M5F08	AV0118F12	AV0118F13	AV0118F16	AV0114F16
F	M5	G1/8"	G1/8"	G1/8"	G1/4"
D1	∅2.5	∅6	∅2.5	∅6	∅6
D2	∅4	∅8.5	∅4	∅8.5	∅8.5
D3	∅6	∅11.8	∅6	∅11.8	∅11.8
H	17	22	21	22	22
H1	7.7	8.7	7.7	8.7	8.7
H2	6.7	7.2	6.7	7.2	7.2
HF	5	7	7	8	8
∩	8	12	13	16	16



FIRST ANGLE PROJECTION

	AV01M5M08	AV0118M12	AV0118M13	AV0118M16	AV0114M16
M	M5	G1/8"	G1/8"	G1/8"	G1/4"
D1	∅2.5	∅6	∅2.5	∅6	∅6
D2	∅4	∅8.5	∅4	∅8.5	∅8.5
D3	∅6	∅11.8	∅6	∅11.8	∅11.8
H	17	22	21	22	22
H1	7.7	8.7	7.7	8.7	8.7
H2	6.7	7.2	6.7	7.2	7.2
HM	4	6.5	6.5	6.5	6.5
∩	8	12	13	16	16

